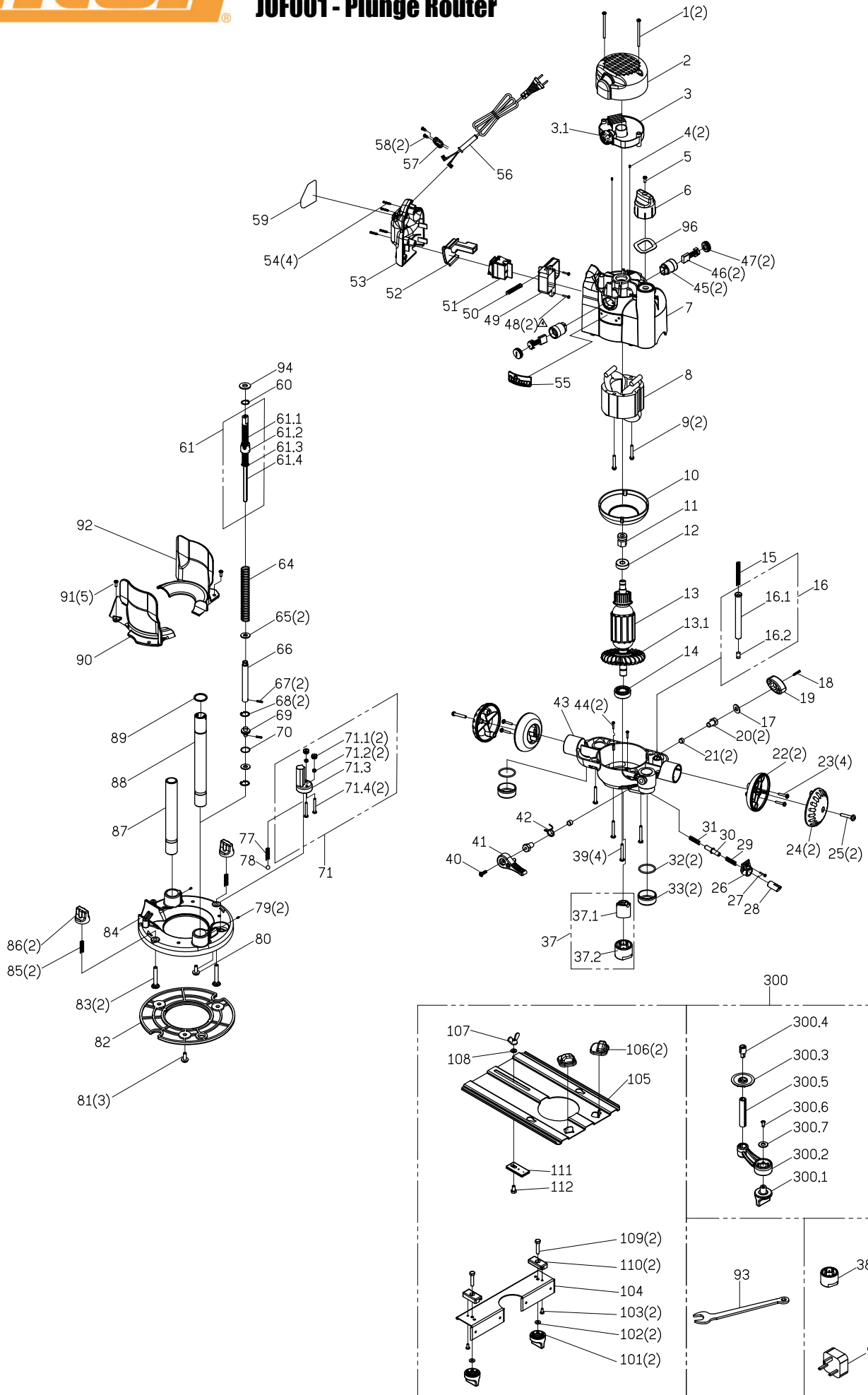




# JOF001 - Plunge Router





## JOF001 - Plunge Router

| <b>No.</b> | <b>Description.</b>          | <b>Qty.</b> |
|------------|------------------------------|-------------|
| 1          | SCREW MOTOR TOP COVER        | 2           |
| 2          | MOTOR TOP COVER              | 1           |
| 3          | SPEED CONTROLLER             | 1           |
| 3.1        | KNOB SPEED CONTROLLER        | 1           |
| 4          | SET SCREW                    | 2           |
| 5          | PAN HD SCREW                 | 1           |
| 6          | MICRO ADJUST KNOB            | 1           |
| 7          | UPPER MOTOR BODY             | 1           |
| 8          | FIELD                        | 1           |
| 9          | PAN HD SELF-TAP SCREW/WASHER | 2           |
| 10         | FAN SHROUD                   | 1           |
| 11         | MAGNET RING MOUNT ASS'Y      | 1           |
| 12         | BALL BEARING                 | 1           |
| 13         | ARMATURE                     | 1           |
| 14         | BALL BEARING                 | 1           |
| 15         | SPRING DEPTH STOP ROD        | 1           |
| 16         | TUBE, DEPTH STOP ASS'Y       | 1           |
| 16.1       | TUBE, DEPTH STOP             | 1           |
| 16.2       | DEPTH STOP ROD PLUG          | 1           |
| 17         | WASHER                       | 1           |
| 18         | HEX SOC HD SCREW             | 1           |
| 19         | KNOB DEPTH STOP              | 1           |
| 20         | SPECIAL SCREW                | 2           |
| 21         | COPPER PAD                   | 2           |
| 22         | FIXED HANDLE INNER           | 2           |
| 23         | PAN HD SCREW                 | 4           |
| 24         | FIXED HANDLE OUTERRUBBERISED | 2           |
| 25         | SCREW                        | 2           |
| 26         | SHAFT LOCK BUTTON            | 1           |
| 27         | PAN HD SCREW                 | 1           |
| 28         | NOSE SHAFT LOCK              | 1           |
| 29         | SPRING SHAFT LOCK BUTTON     | 1           |
| 30         | SHAFT LOCK PIN               | 1           |
| 31         | INNER SPRING,SHAFT LOCK      | 1           |
| 32         | POST DUST SEAL STRIP         | 2           |
| 33         | POST DUST SEAL CAP           | 2           |
| 37         | 1/2" CHUCK ASS'Y             | 1           |



## J0F001 - Plunge Router

| <b>Ref. No.</b> | <b>Description.</b>                | <b>Qty.</b> |
|-----------------|------------------------------------|-------------|
| 38              | 12MM MOF COLLET                    | 1           |
| 39              | SELF-TAP PAN HD SCREW              | 4           |
| 40              | SCREW PLUNGE LOCK BOLT             | 1           |
| 41              | PLUNGE LOCK LEVER                  | 1           |
| 42              | SPRING PLUNGE LOCK LEVER           | 1           |
| 43              | LOWER MOTOR BODY                   | 1           |
| 44              | CROSS RECESSED TRUSS HEAD SCREW    | 2           |
| 45              | BRUSH HOLDER                       | 2           |
| 46              | BRUSH                              | 2           |
| 47              | BRUSH HOLDER CAP                   | 2           |
| 48              | PAN HEAD TAPPING SCREW ZINC-PLATED | 2           |
| 49              | HOUSING COVER SWITCH               | 1           |
| 50              | SPRING SWITCH COVER                | 1           |
| 51              | WATER-PROOF SWITCH                 | 1           |
| 52              | SWITCH SLIDE COVER                 | 1           |
| 53              | SWITCH COVER                       | 1           |
| 54              | SELF TAPPING SCREW                 | 4           |
| 55              | LOGO PLATE                         | 1           |
| 57              | CORD CLAMP                         | 1           |
| 58              | SELF TAPPING SCREW                 | 2           |
| 60              | RETAIN RING                        | 1           |
| 61              | ELEVATION THREAD ROD               | 1           |
| 61.1            | ELEVATION THREAD ROD               | 1           |
| 61.2            | ROUND NUT                          | 1           |
| 61.3            | FLAT WASHER                        | 1           |
| 61.4            | ELEVATION SHAFT                    | 1           |
| 64              | MAIN SPRING                        | 1           |
| 65              | FLAT WASHER                        | 2           |
| 66              | GUIDE TUBE                         | 1           |
| 67              | PIN                                | 2           |
| 68              | INT'RETAINING RING                 | 2           |
| 69              | DRICE HEAD                         | 1           |
| 70              | O-TYPE RING                        | 1           |
| 71              | TURRET ASS'Y                       | 1           |
| 77              | SPRING FENCE ATTACHMENT KNOB       | 1           |
| 78              | TURRET DETENT BALL                 | 1           |
| 79              | SET SCREW                          | 2           |



## JOF001 - Plunge Router

| <b>Ref. No.</b> | <b>Description.</b>          | <b>Qty.</b> |
|-----------------|------------------------------|-------------|
| 80              | SELF TAPPING SCREW           | 1           |
| 81              | PAN HD SCREW                 | 3           |
| 82              | BASE PLATE                   | 1           |
| 83              | M6X40MM COACH BOLT           | 2           |
| 84              | BASE                         | 1           |
| 85              | SPRING FENCE ATTACHMENT KNOB | 2           |
| 86              | FENCE ATTACHMENT KONB        | 2           |
| 87              | SMOOTH POST                  | 1           |
| 88              | RACK POST                    | 1           |
| 89              | SNAP RING RACK POST 20MM     | 1           |
| 90              | FRONT CHIP FIELD             | 1           |
| 91              | PAN HD SCREW                 | 5           |
| 92              | REAR CHIP SHEILD             | 1           |
| 93              | WRENCH                       | 1           |
| 94              | FLAT WASHER                  | 1           |
| 95              | SCP PLUG                     | 1           |
| 96              | WAVE WASHER                  | 1           |
| 101             | FENCE SLIDE KONB             | 2           |
| 102             | WASHER FENCE CIRCLE          | 2           |
| 103             | SELF-TAP PAN HD SCREW        | 2           |
| 104             | FENCE SLIDE FACE             | 1           |
| 105             | FENCE PLATE                  | 1           |
| 106             | FENCE ADAPTOR                | 2           |
| 107             | BUTTERFLY NUT                | 1           |
| 108             | WASHER FENCE CIRCLE          | 1           |
| 109             | HEX HD SCREW                 | 2           |
| 110             | FENCE SLIDE CLAMP            | 2           |
| 111             | FENCE CIRCLE SLIDER          | 1           |
| 112             | SCREW FENCE CIRCLESIDER      | 1           |
| 300             | MICRO HEIGHT CRANK ARM       | 1           |
| 300.1           | MICRO HEIGHT ADJUSTERKNOB    | 1           |
| 300.2           | MICRO HEIGHT CRANK ARM       | 1           |
| 300.3           | MICRO HEIGHT DRIVE TUBE      | 1           |
| 300.4           | MICRO HEIGHT UNIVERSAL       | 1           |
| 300.5           | MICRO HEIGHT DRIVE TUBE      | 1           |
| 300.6           | SELF TAPPING SCREW           | 1           |
| 300.7           | FLAT WASHER                  | 1           |